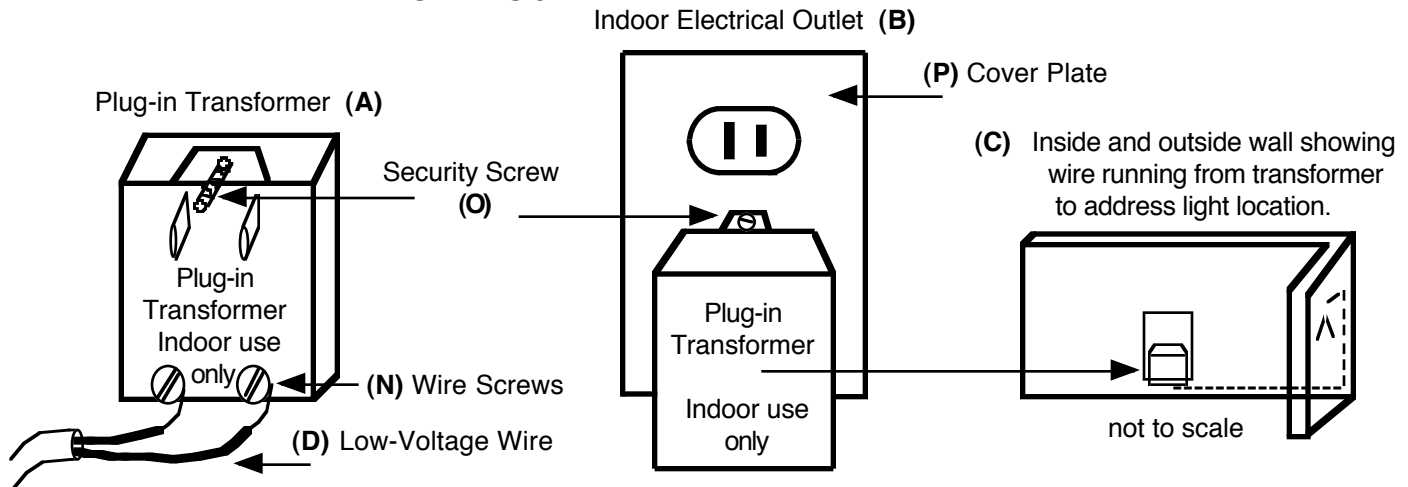


Installation Instructions with Plug-In Transformer for Tollmark Address Lights

Use Only Tollmark Bulbs and Replacement Parts.
To order: Call 800-477-7723

Warning: Read Me First! Power this unit only with the Plug-in transformer (A) provided. Do not attach address light directly to regular household current (110 volts). Fire, severe injury or death could result. Please follow the instructions below for proper installation. Any modification of the address light voids all warranties and is at your own risk! Read through all instructions before beginning your installation.



- 1) Begin your installation by determining where your address light will be located. It should be near an unused indoor Electrical Outlet (B) within your home, garage or other Weather-tight Structure (C). The address light should be visible from the street in both directions and mounted high enough to be out of the reach of children.
- 2) Where you run the Low-Voltage Wire (D) from the transformer to your address light will depend on your situation. Once you know where you are going to run your wire, drill any holes needed for the wire to pass through the wall, floor or ceiling. **Use caution when drilling. Avoid areas where high-voltage electrical wire may run.** Leave several inches of low-voltage wire loose at each end where you will attach the transformer and address light. Use a staple gun or some other means to secure the wire in place. Avoid crushing or puncturing the wire. Use caulk to seal any holes against moisture.
- 3) At each end of the wire, strip off 2 inches of the outer wire jacket and 3/8 inch off the individual wires.
- 4) To mount the address light, place the Mounting Plate (F) on the wall, level carefully and mark the drilling sites for the Mounting Hardware (G, H). Use a 1/4 inch drill bit to drill holes if using the Screw Anchors (H), and insert them. If using the Screws (G) alone, use a 1/8 inch drill bit.
- 5) Pull the wires from the Sockets (M) through the Wire Hole (K) on the mounting plate. Twist together one Transformer Wire (D) and one Socket Wire (L) (it doesn't matter which one), and secure with a Wire Nut (I). Repeat for second set of wires. The wire nuts should now be between the wall and hollow side of the Mounting Plate (F). If the wire coming from the transformer must pass under the mounting plate's edge use a pair of pliers to bend up a small area on the mounting plate so the wire can pass under it and not be cut when the plate is tightened down.
- 6) Use the Mounting Screws (G) to secure the Mounting Plate (F) onto the wall. Place the Housing (E) over the mounting plate and secure each end with the Housing Screws (J).
- 7) Before plugging in the transformer attach the wire to it by placing one wire under each of the transformer's Wire Screws (N) and tighten them down securely.
- 8) Remove the electric outlet cover plate screw, but Do Not remove the Cover Plate (P). Plug in the transformer and use the Security Screw (O) to hold the transformer and cover plate in place.

Congratulations! As night falls, you will see your illuminated address clearly.