

Mounting Screw (G)



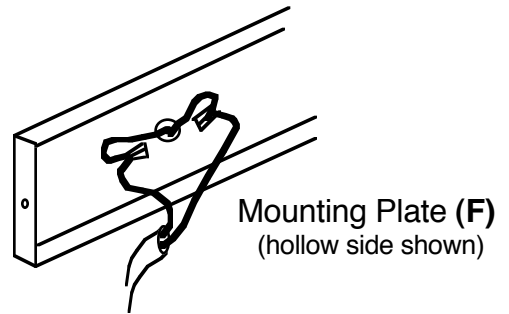
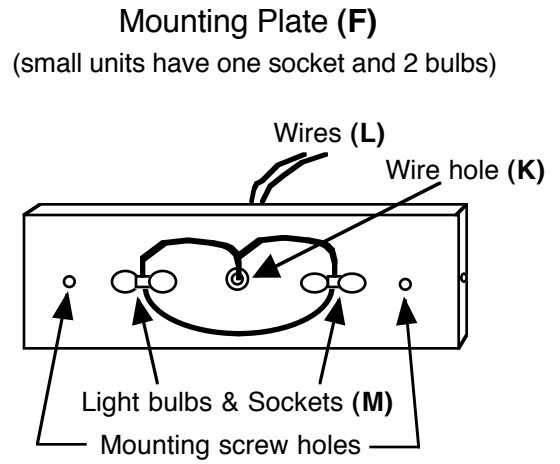
Screw Anchor (H)



Wire Nut (I)



Housing Screw (J)



**Attention:** Bubbling may occur on the Number Panels.  
The Bubbling is a natural occurrence do to off-gassing  
and will disappear in 3 to 6 weeks.